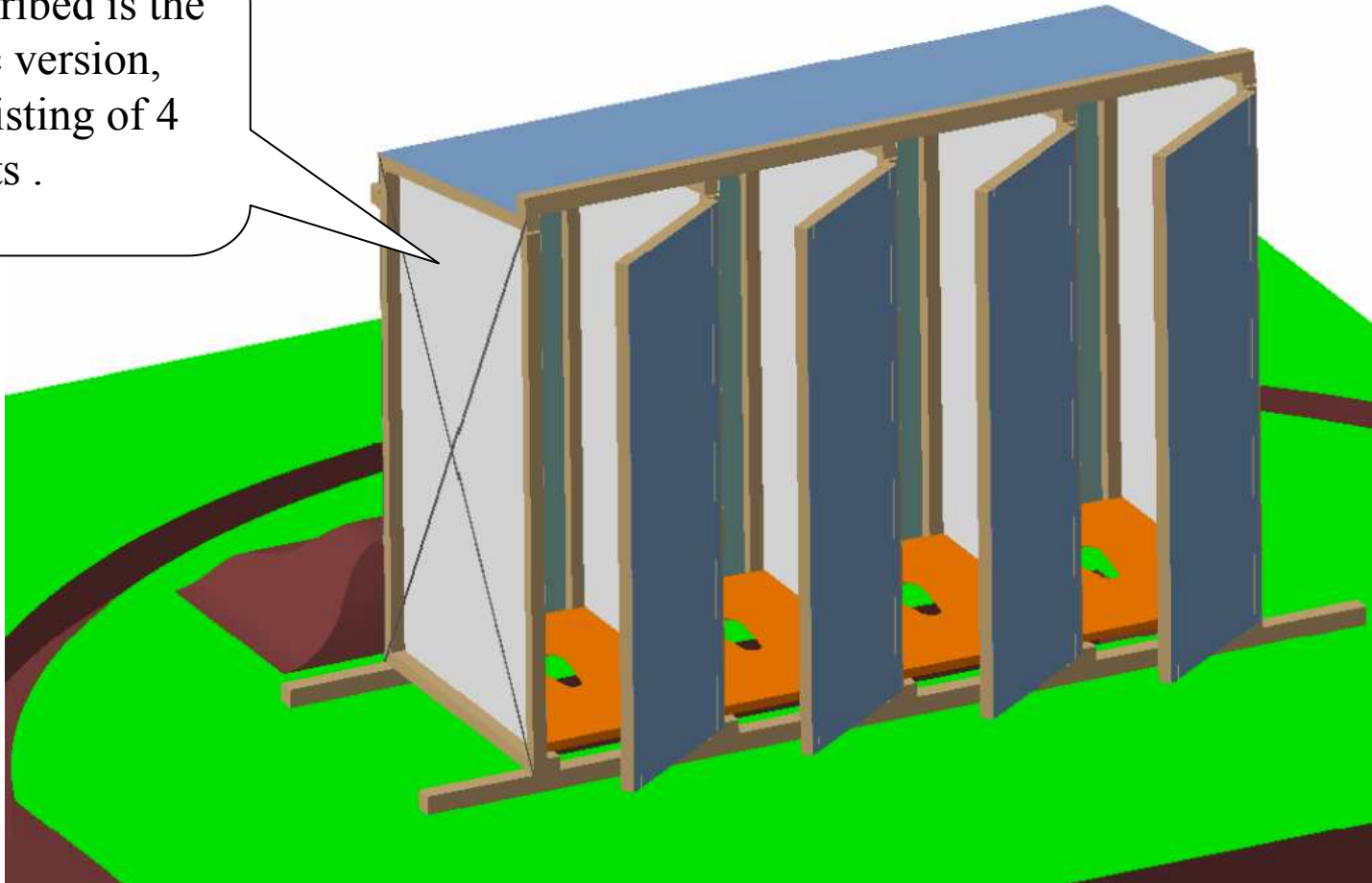
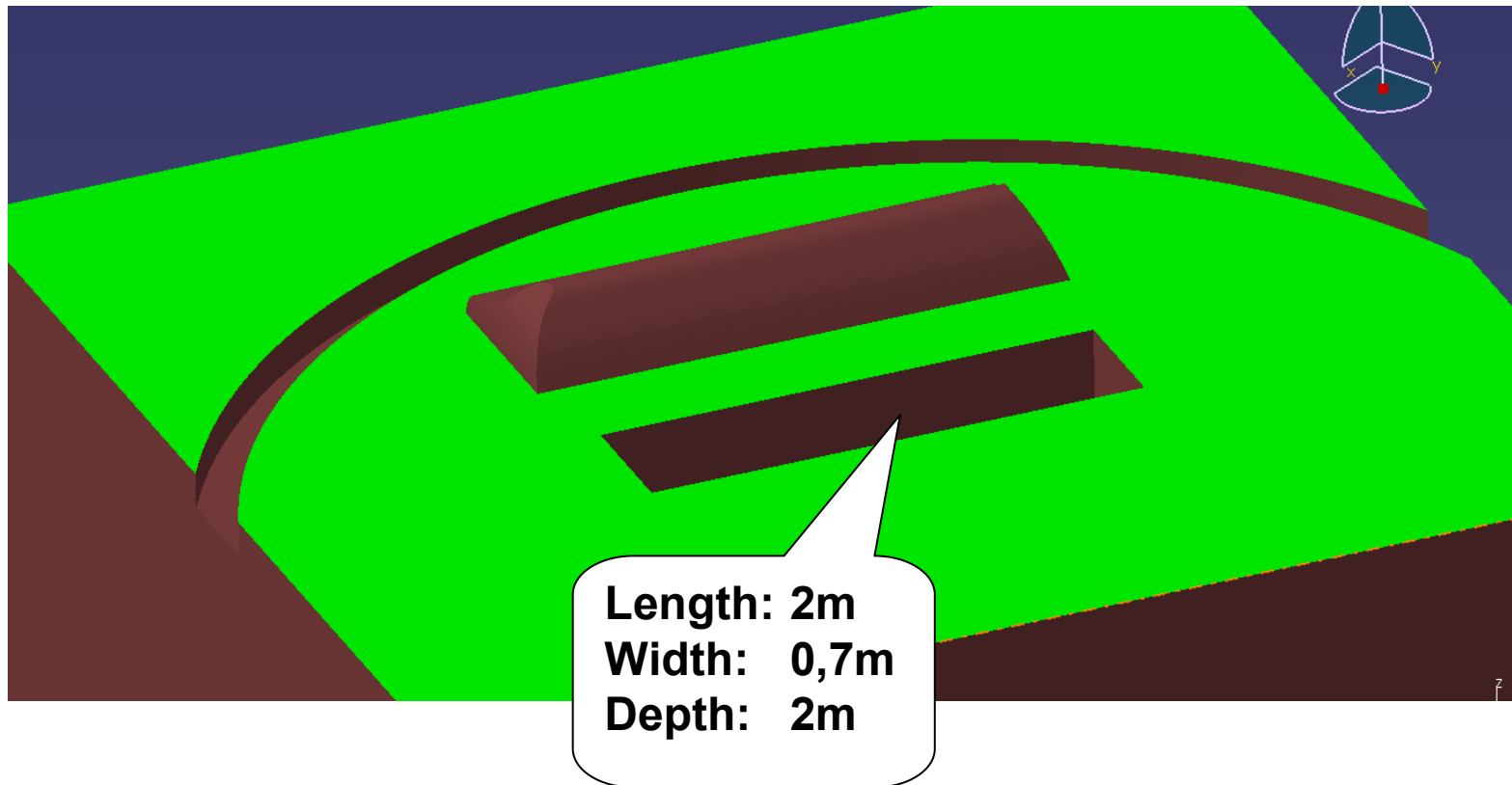


Picture Guide of the construction of public pit latrines

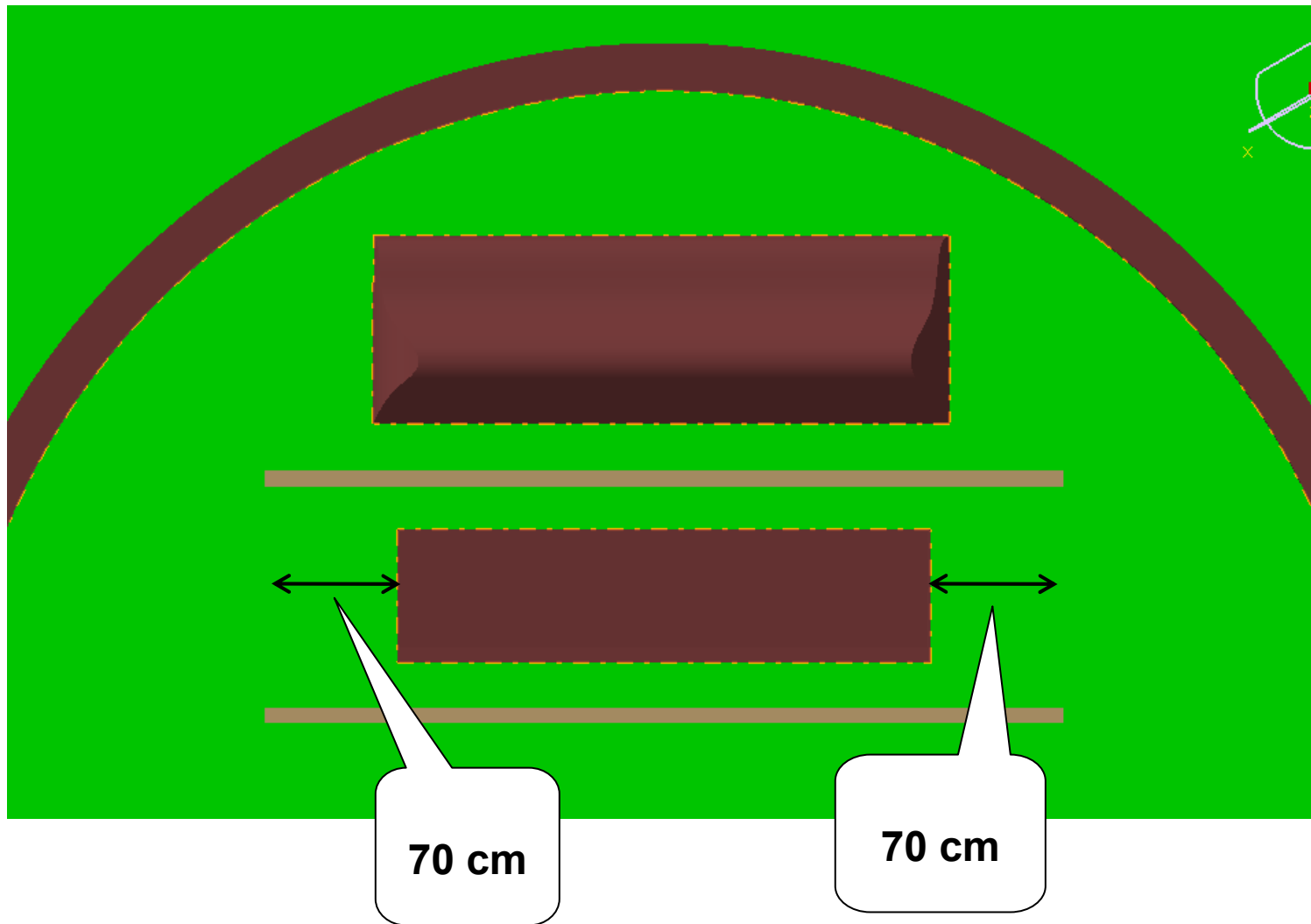
Described is the basic version, consisting of 4 toilets .



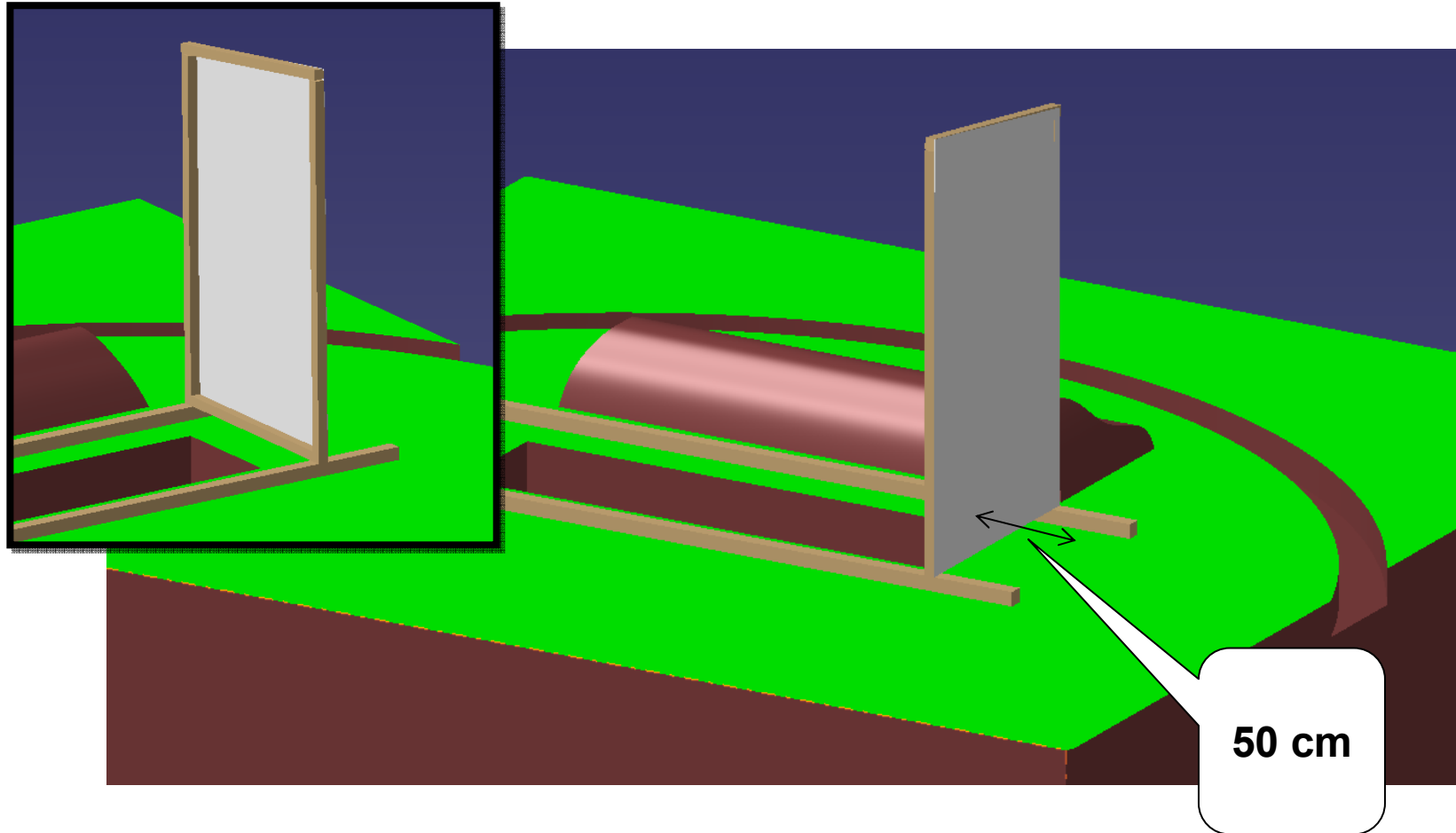
1st Digging the Trench



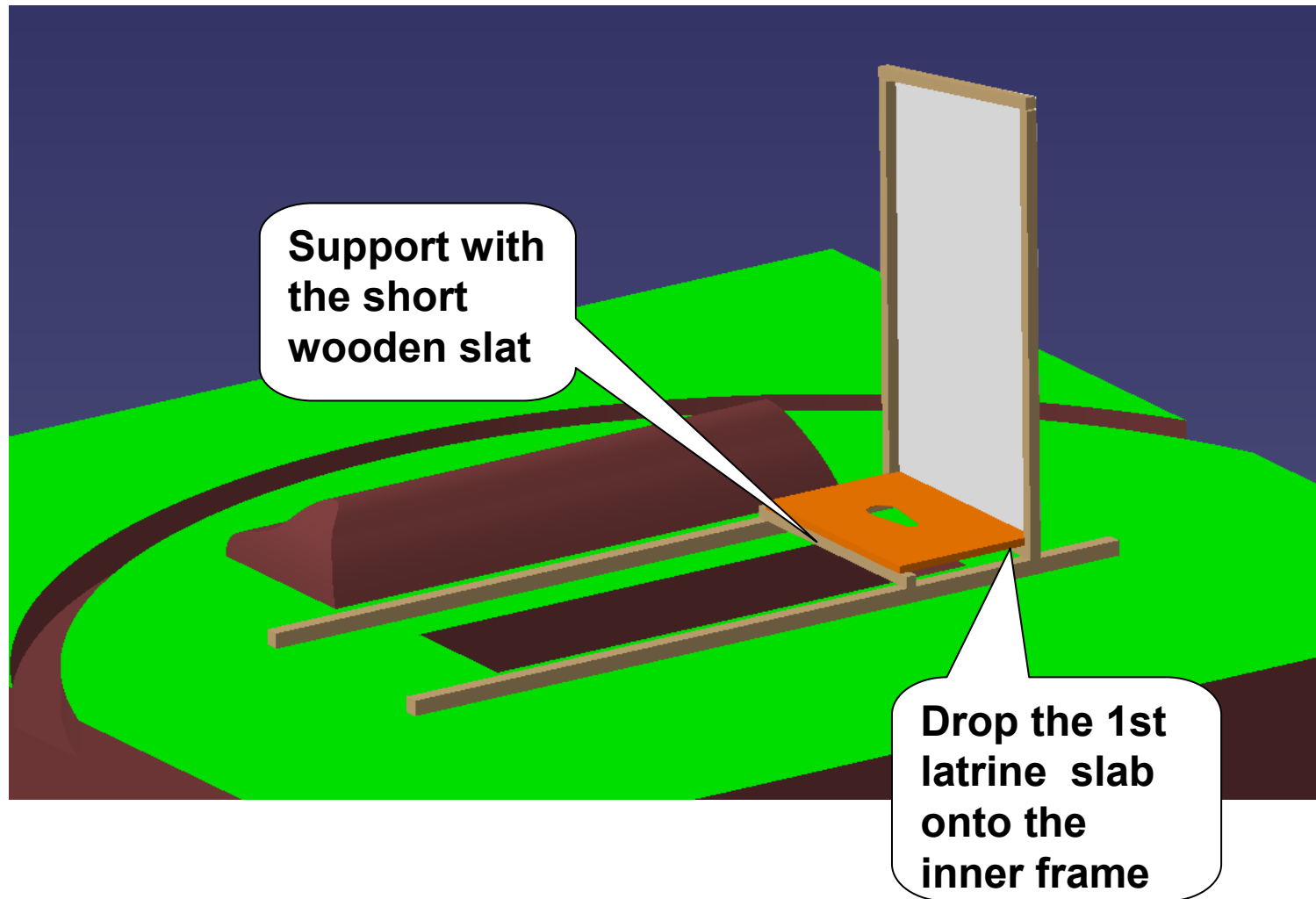
Placing the Basic Timber



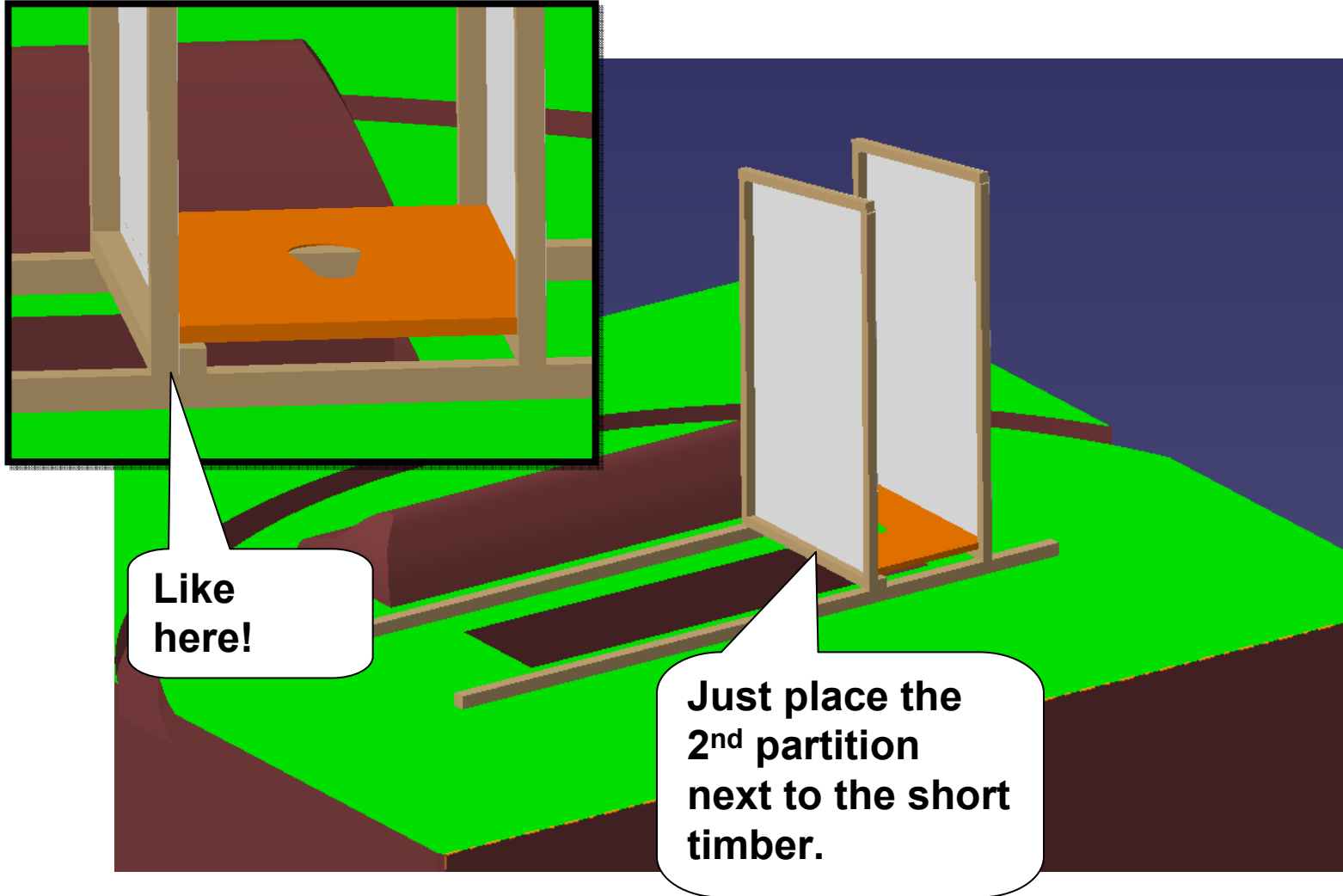
Set up of the 1st Partition



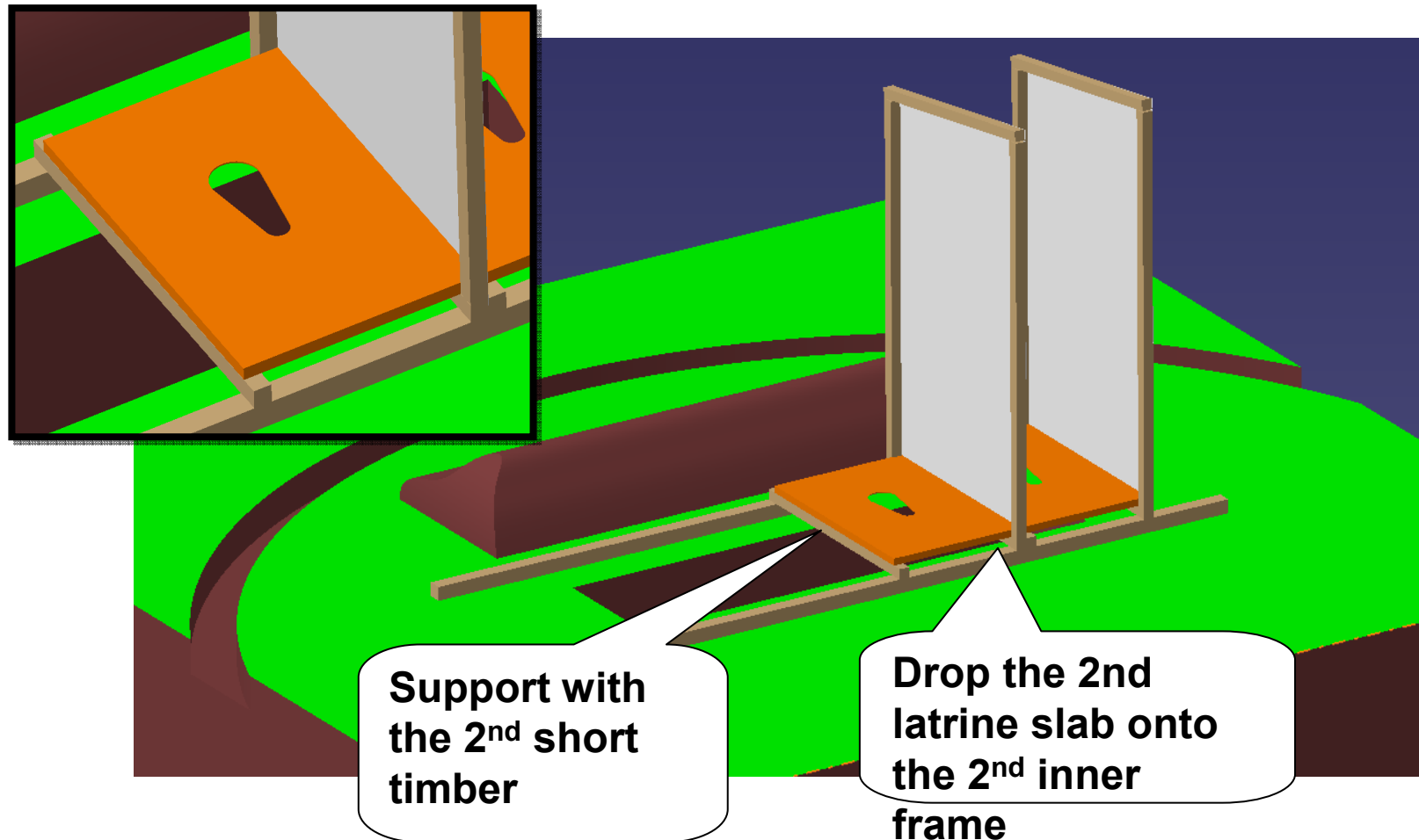
Set up of the 1st Latrine Slab



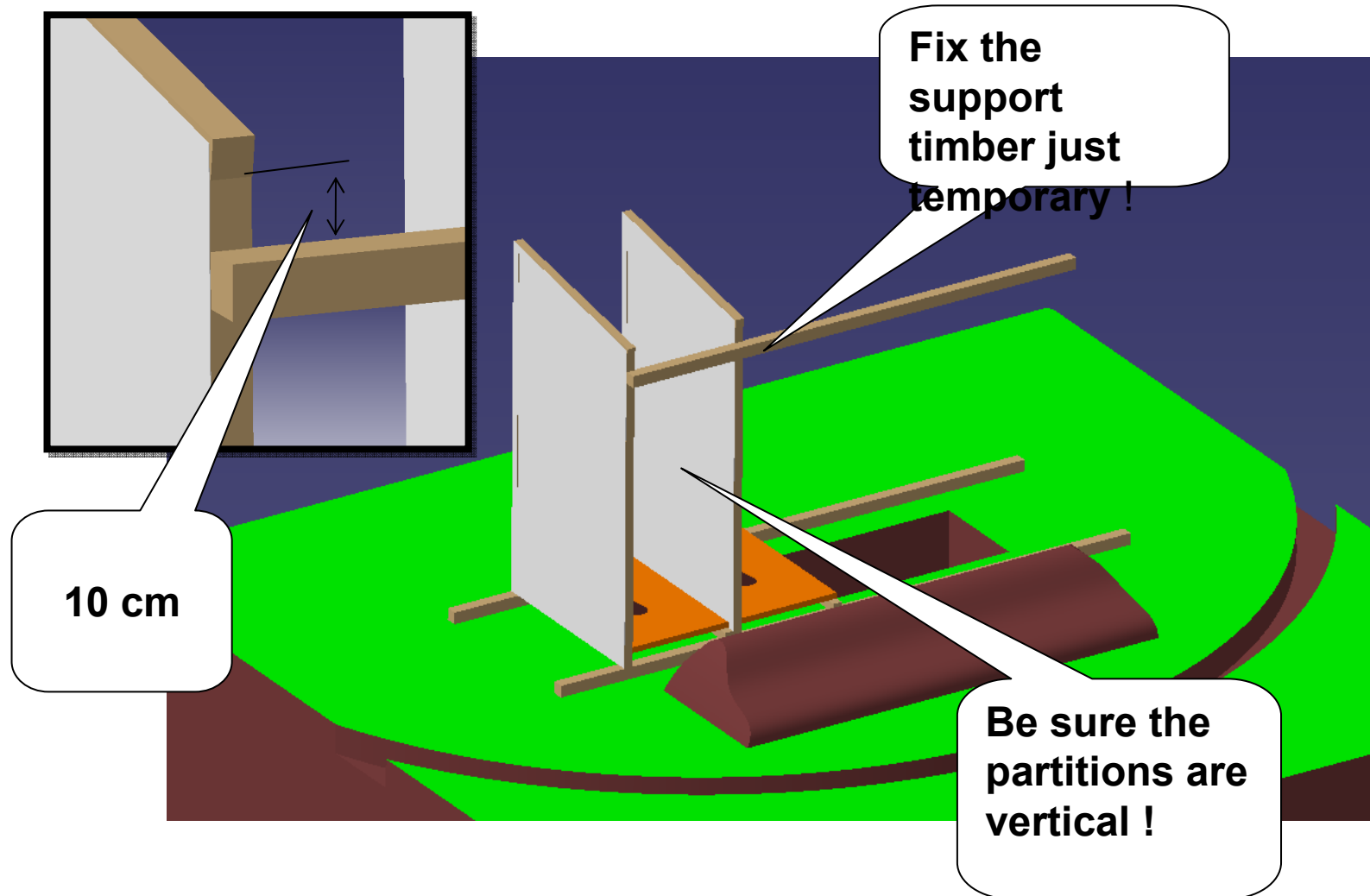
Set up of the 2nd Partition Wall



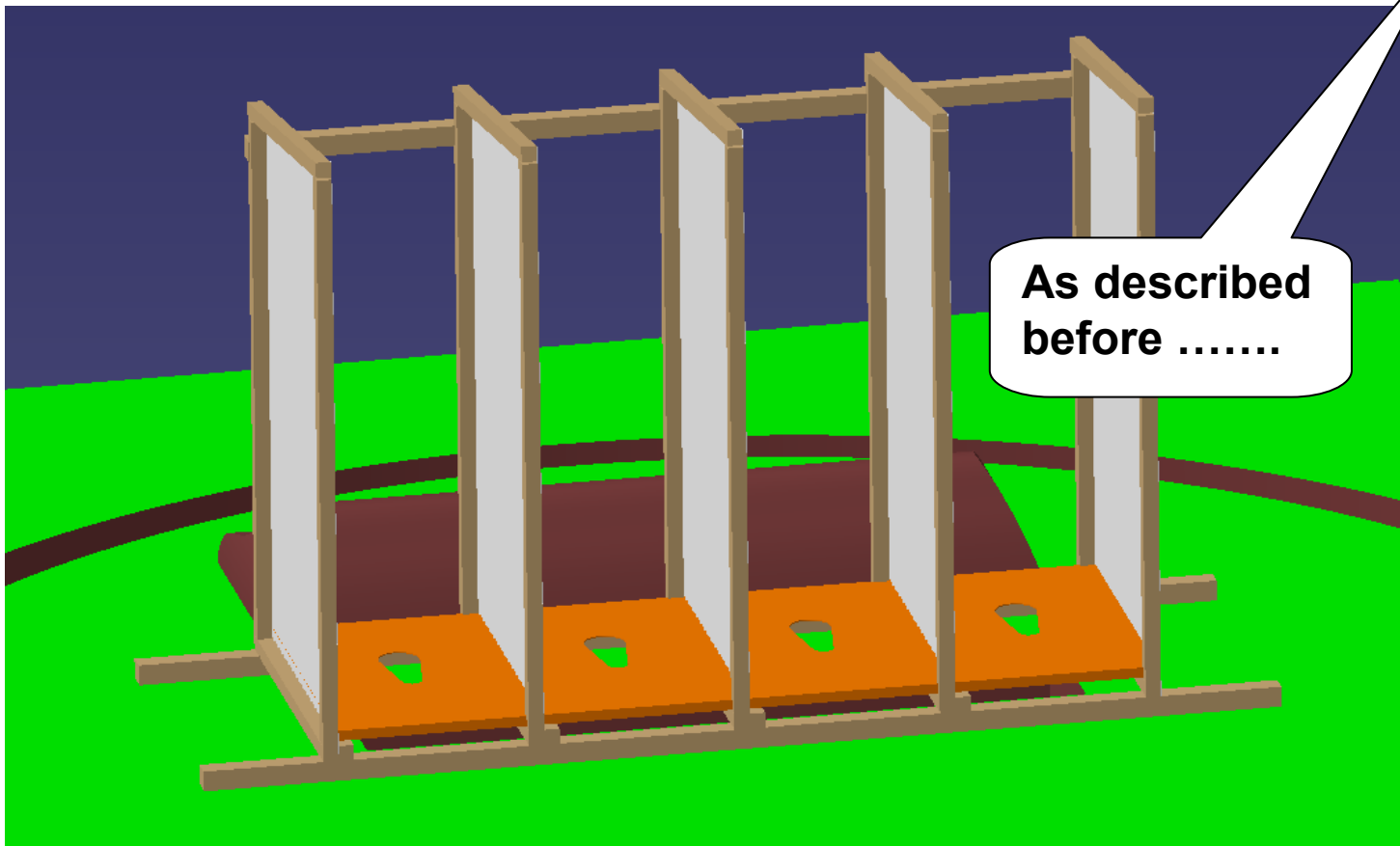
Set up of the 1st Latrine Slab



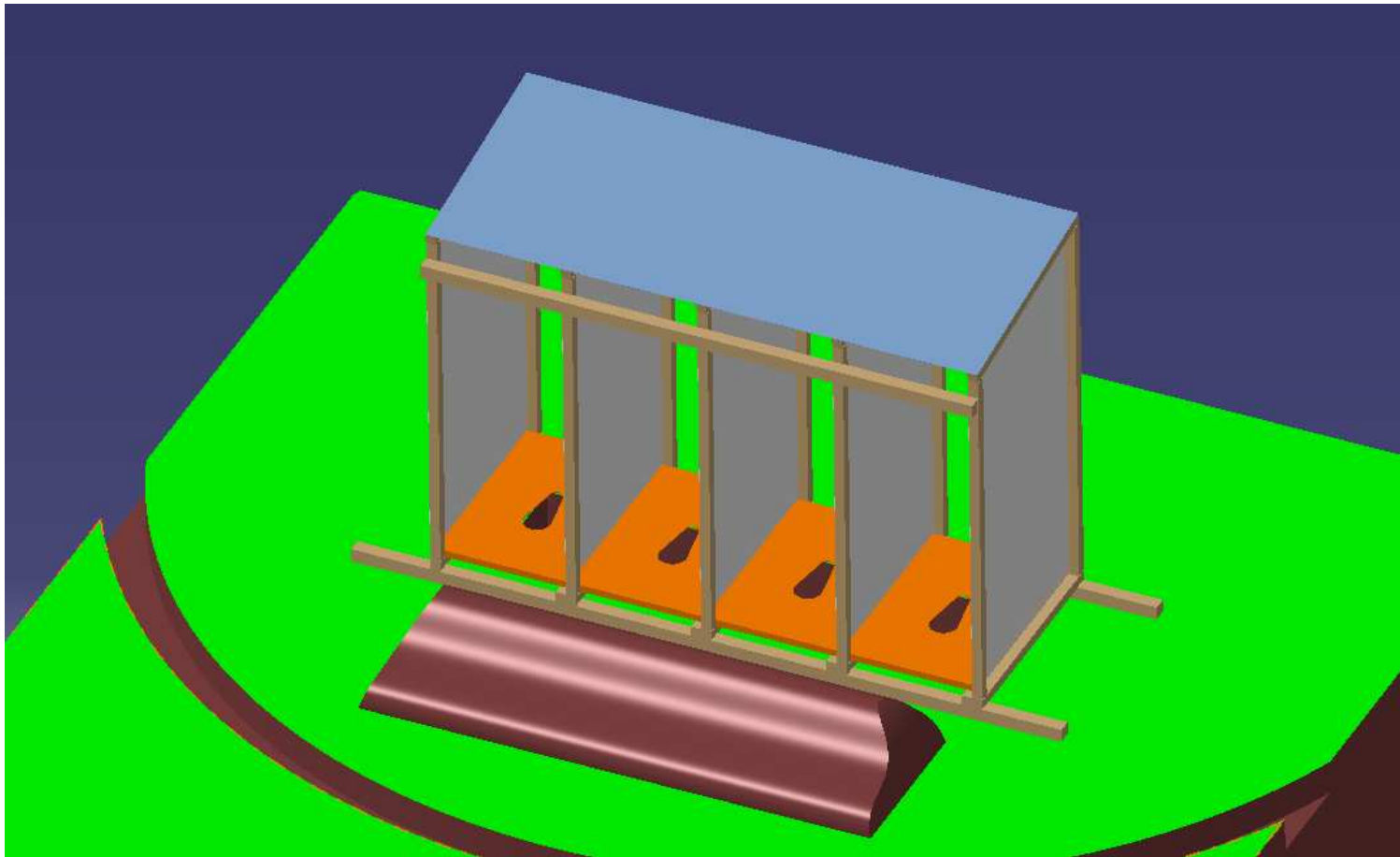
Support for the setting up of the partitions



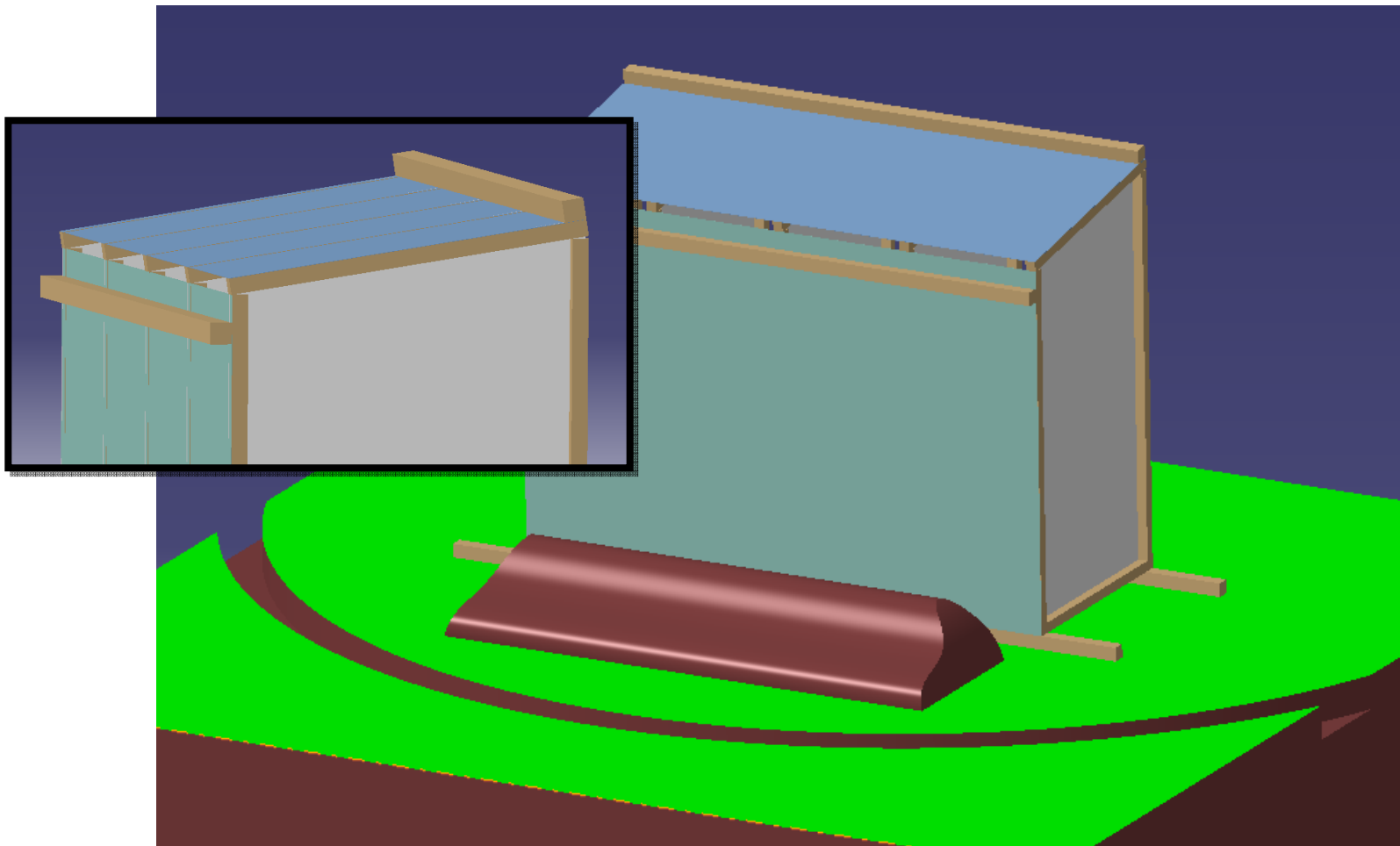
Set up of the remaining slabs and partitions



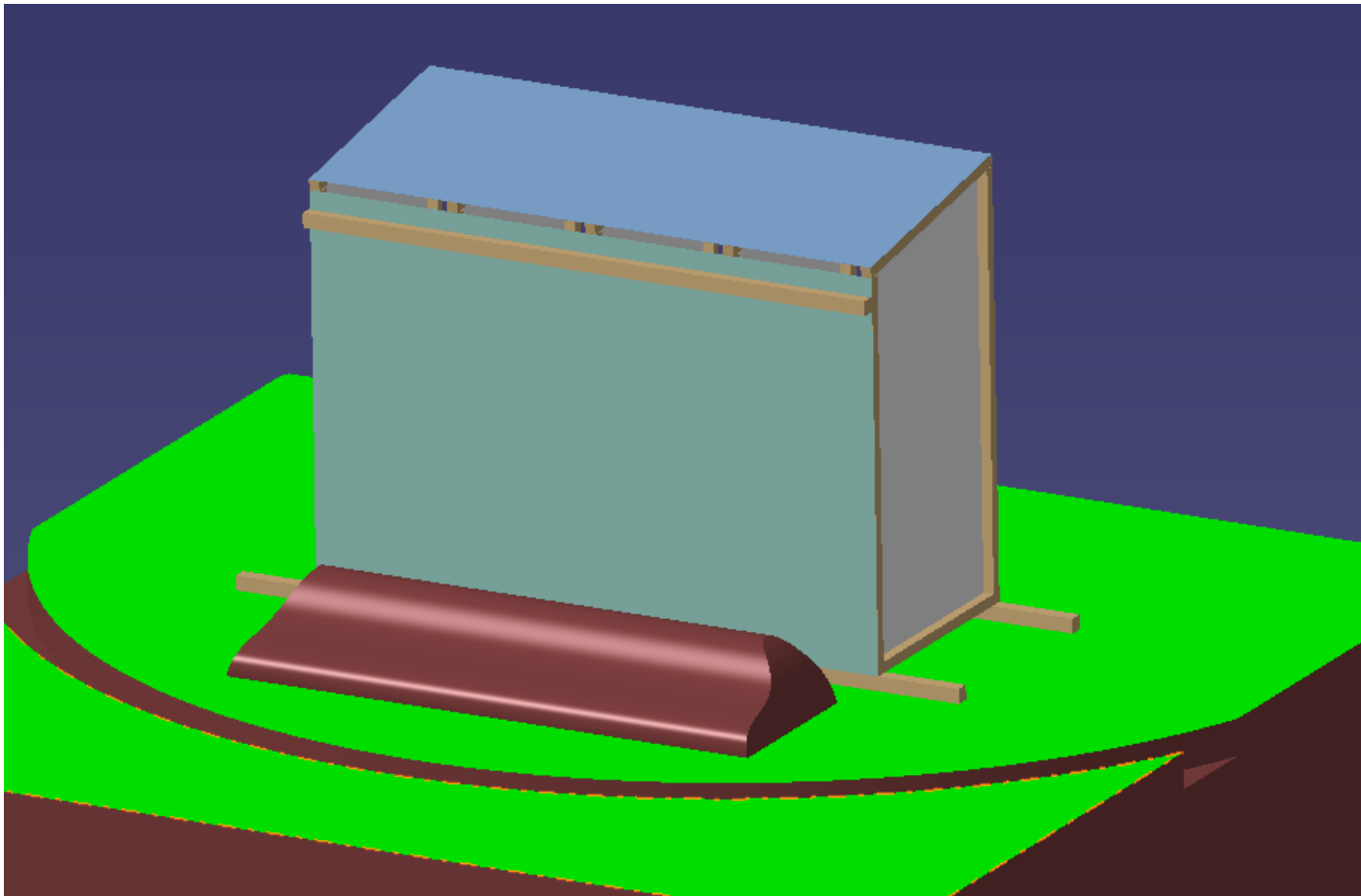
Fasten the plastic tarpaulin on the roof



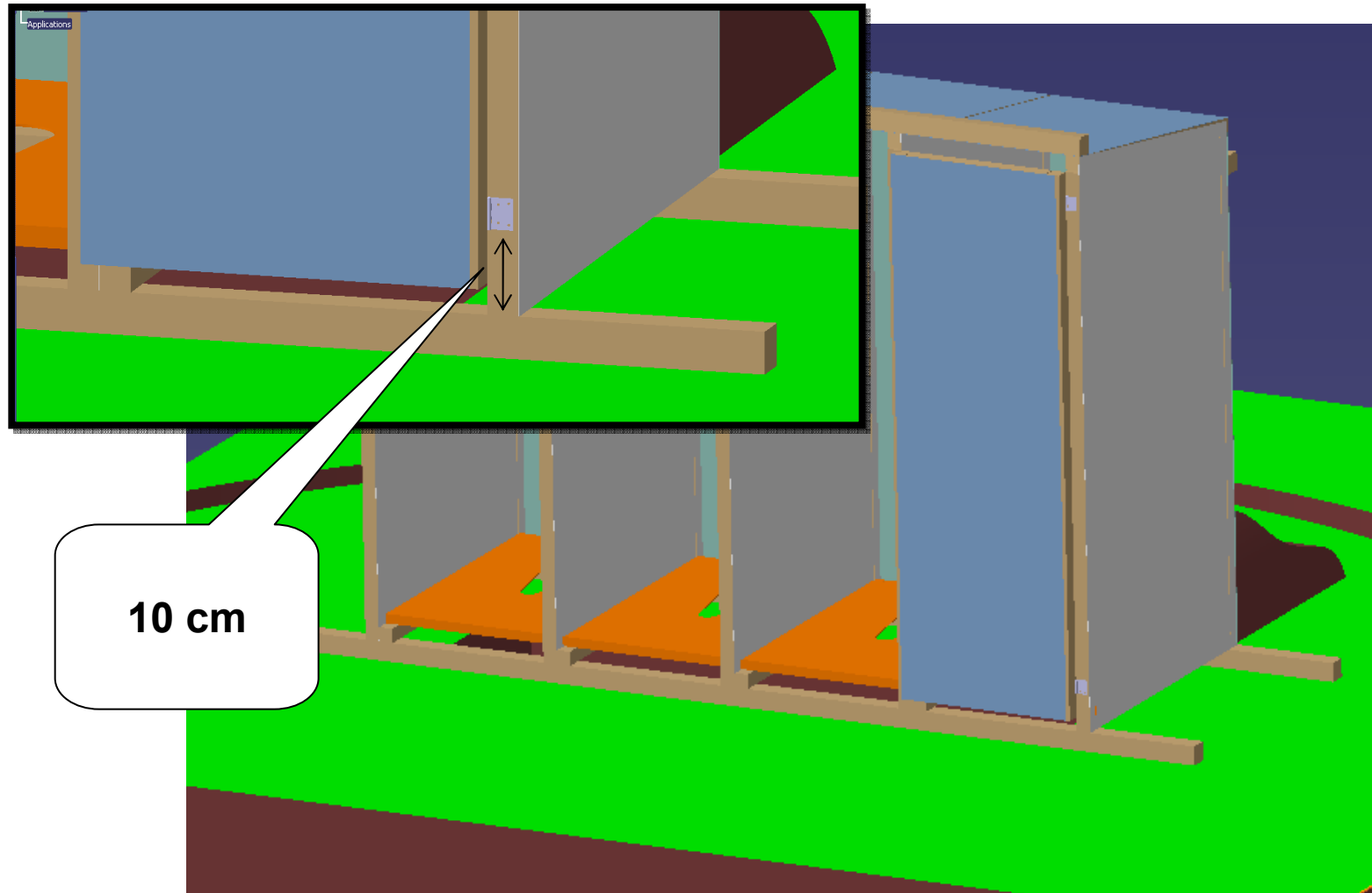
Fasten the supporting timber on the roof and rear side



Fasten the plastic tarpaulin on the rear side



Installation of the 1st doors



Installation of the remaining doors

