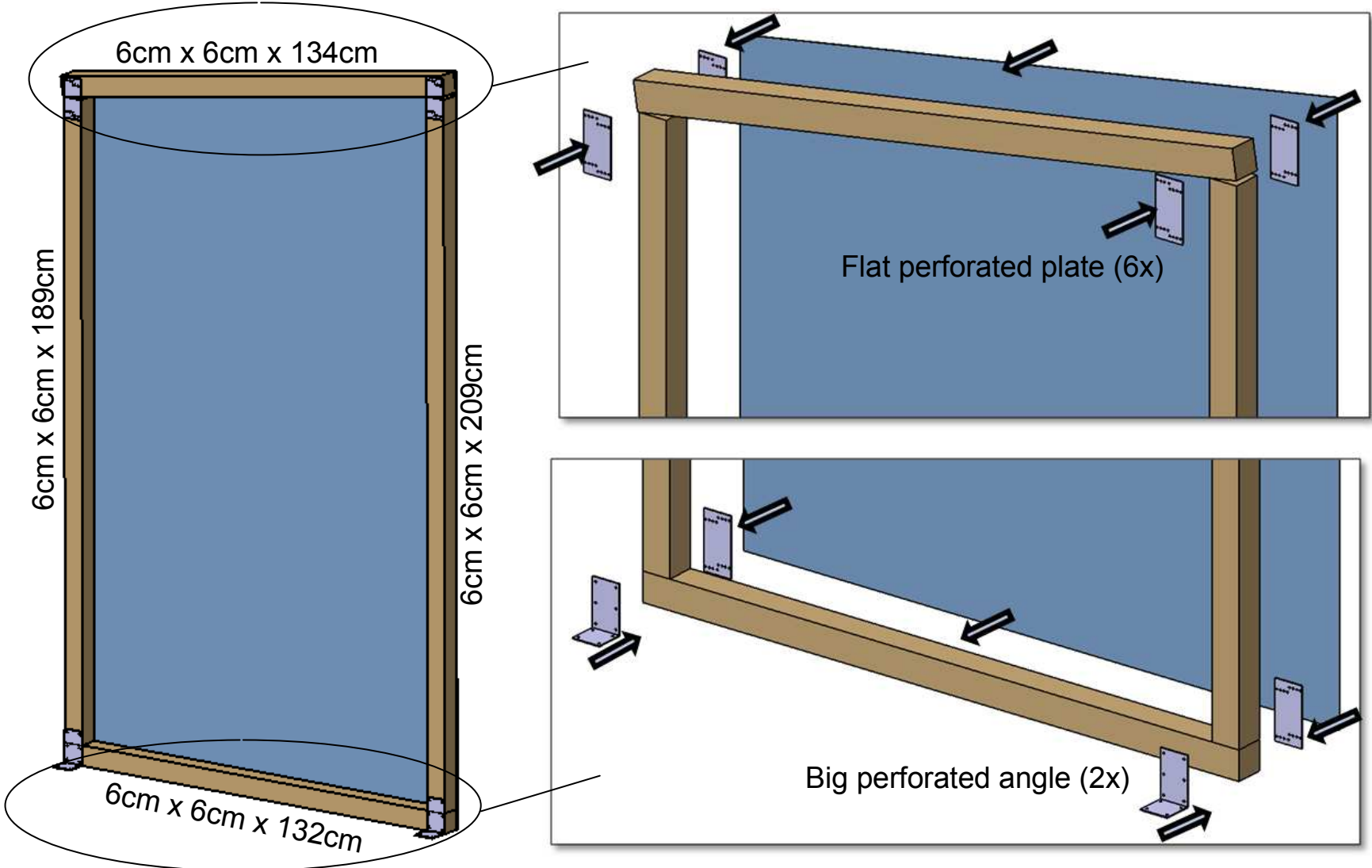
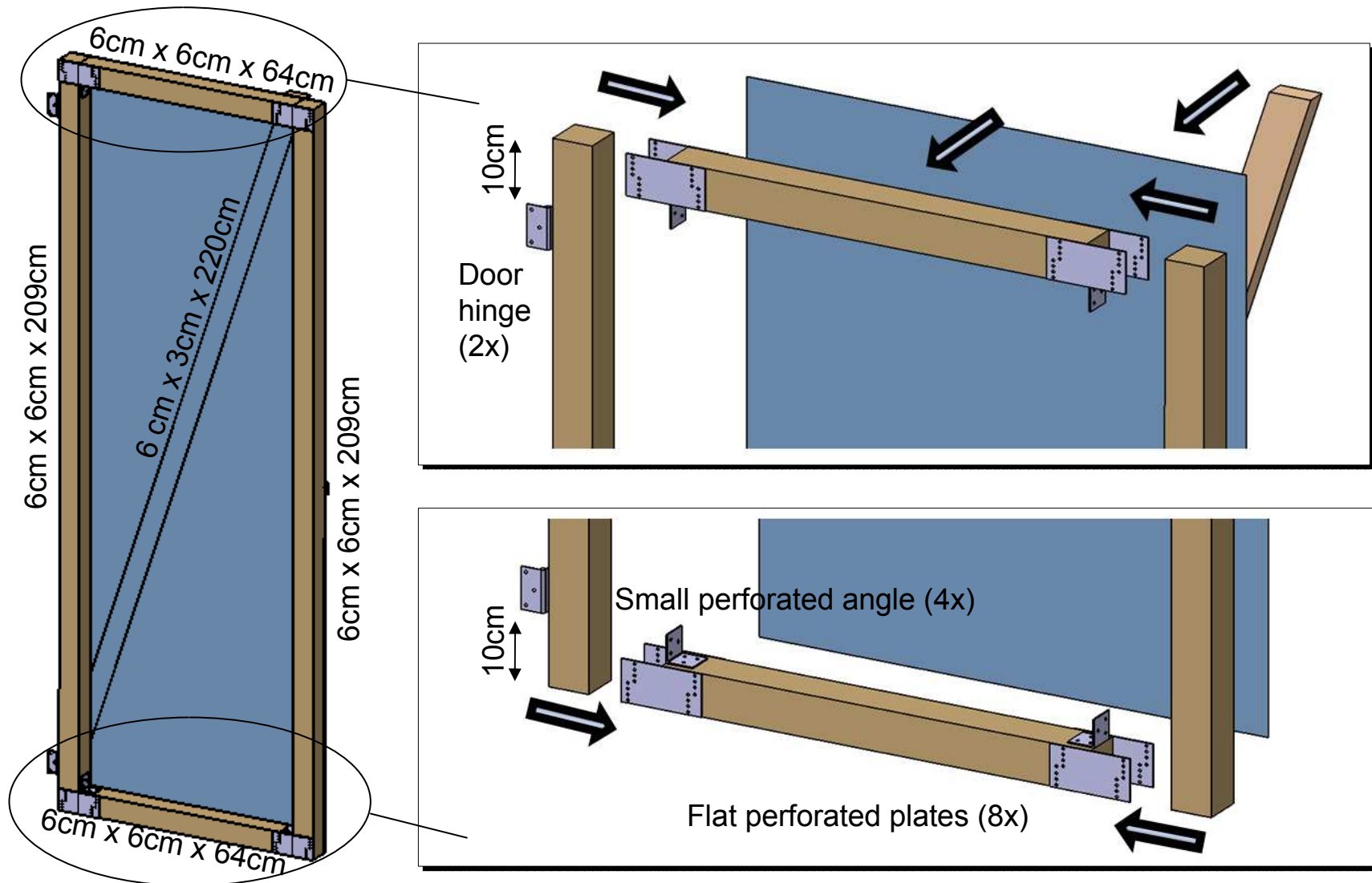


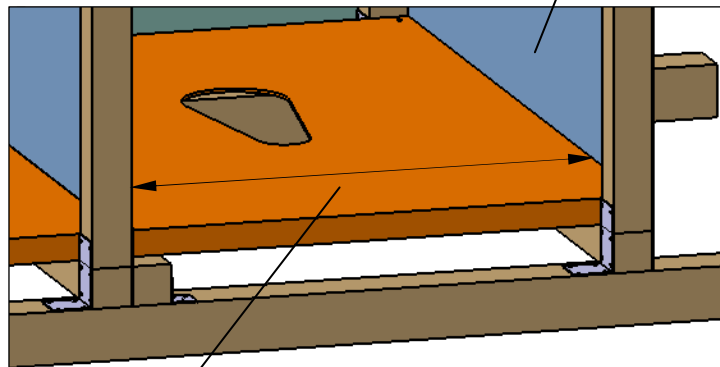
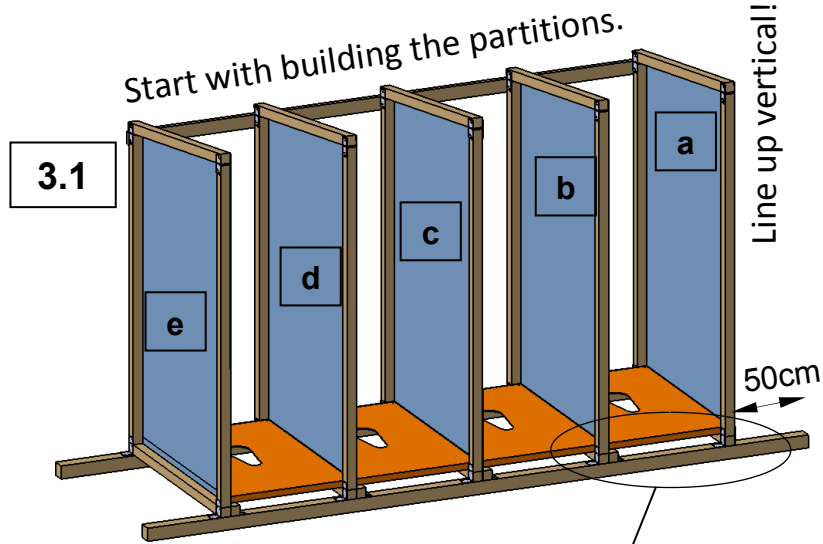
1st Step - Assembly of the Partition



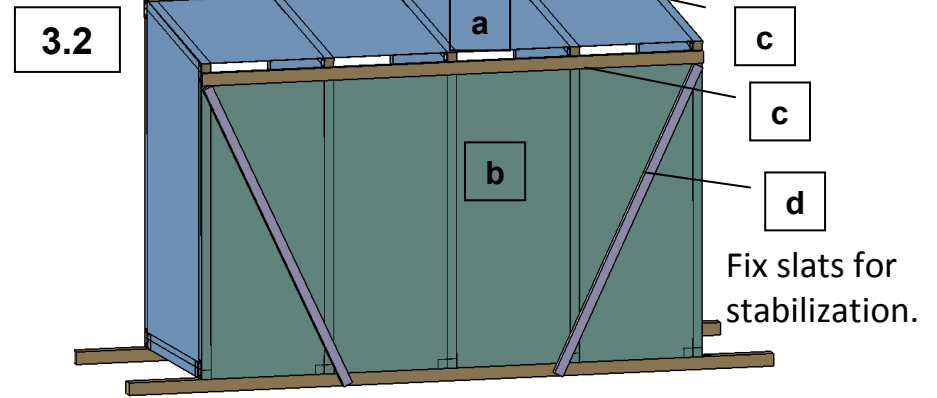
2nd Step - Assembly of the Latrine Door



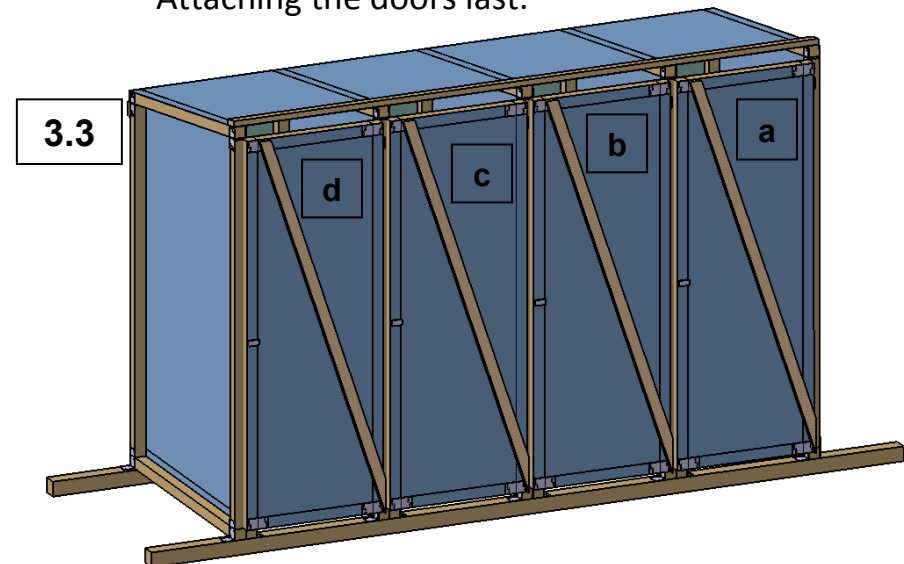
3rd Step - Assembly of the Public Latrine Unit (4 #)



As next fasten the plastic tarpaulin
(Back view)



Attaching the doors last.



Pre-cut blank for plastic tarpaulin 4 x 6 meters

